



■ VALVE

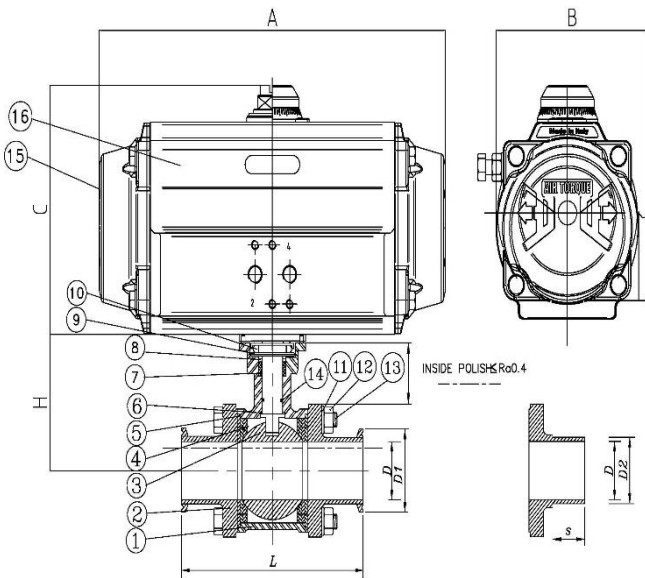
- ▷ Working Pressure : 5kg/cm²
- ▷ Max Temperature : 120 °C
- ▷ Ball : Full port
- ▷ Material : ASTM A351 - CF8(1.4308) (1.5" , 2" , 3")
ASTM A351 - CF8M(1.4408)
(0.5" , 1" , 2.5" , 4")
- ▷ End connection : Ferrule(clamp)
- ▷ ISO5211 Direct mounting pad
- ▷ Investment casting body & end cap

■ OPTION

- ▷ DIN standard M3 length
- ▷ Fire safe design

■ ACTUATOR

- ▷ Double Acting
- ▷ Spring Return
- ▷ Accessories :
 - + Solenoid valve with Neon lamp(IP65)
 - + Limit switch box(Weather, Explosion proof)
 - + Air Filter regulator unit
 - + Speed controller
 - + Silencer
 - + One touch fitting



NO	PARTS NAME	MATERIAL	Q'TY
1	BODY	A351-CF8/CF8M/CF3M	1
2	CAP	A351-CF8/CF8M/CF3M	2
3	BALL	A351-CF8/CF8M/CF3M	1
4	SEAT	PTFE /TFM1600	2
5	GASKET	PTFE	1
6	THRUST PACKING	PTFE	1
7	TSTEM PACKING	PTFE	1
8	RING	AISI 304	2
9	BELLEVILLE WASHER	AISI 304	2
10	STEM NIT	AISI 304	1
11	SPRING WASHER	AISI 304	4,8,12
12	BOLT NUT	AISI 304	4,8,12
13	BOLT	AISI 304	4,6
14	O-RING	VITON	1
15	COVER	ALUMINUM ALLOY	2
16	ACTUATOR BODY	ALUMINUM ALLOY	1

SIZE	ISO-	D	L±1.0	H	A	B	C	D1	D2	
DN 15	INCH 1/2"	F03-F04	±0.5	89	37	135.5	71	69	25.4	12.7
25	1"	F04-F05	22.2	114	57.2	135.5	71	69	50.4	25.4
40	1-1/2"	F05-F07	35	125	78.2	203.5	93	102	50.4	38.1
50	2"	F05-F07	47.6	150	86.2	203.5	93	102	63.8	50.8
65	2-1/2"	F07-F10	60.3	197	109.2	241	106	115	77.6	63.5
80	3"	F07-F10	73	229	116.2	259	118.5	127	91	76.2
100	4"	F10-F12	97.4	241	113.5	304	136	145	119	102

품질향상을 위하여 사전 예고없이 사양이 변경 될 수 있습니다.