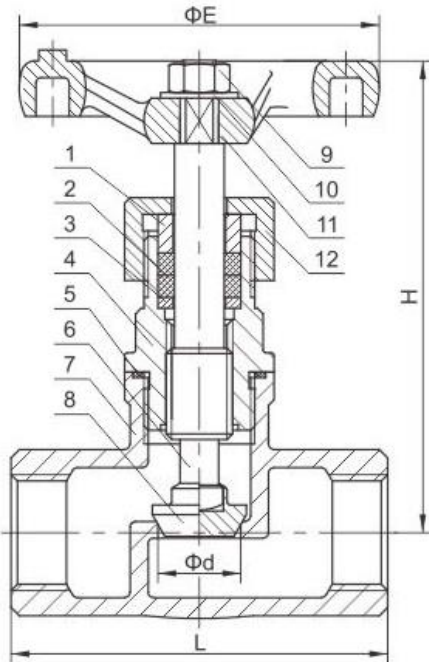




■ FEATURES

- ▷ Working Pressure : 10kg/cm<sup>2</sup>
- ▷ Max Temperature : 80 °C
- ▷ Material : JIS G5121 – SSC13  
JIS G5121 – SSC14  
ASTM A351-CF8  
ASTM A351-CF8M
- ▷ TYPE : S.B
- ▷ End connection :  
\* Screwed : BS21 1973(BSPT)  
ANSI B2.1(NPT)



SIZE	D	L	H	E
15A	13	67	94.5	70
20A	18	79	100	70
25A	22	87	117	80
32A	30	103	136	80
40A	36	118	147	100
50A	48	138	170	100

NO	PARTS NAME	METERIAL
1	PACKING GLAND	STS304
2	PACKING	PTFE
3	PACKINGG PAD	STS304
4	BONNET	SSC13/SSC14
5	GASKET	PTFE
6	STEM	STS304/STS316
7	BODY	CF8/CF8M
8	DISC	SSC13/SSC14
9	NUT	STS304
10	WASHER	STS304
11	HANDLE	QT
12	GLAND NUT	CF8

품질향상을 위하여 사전 예고없이 사양이 변경 될 수 있습니다.