



■ VALVE

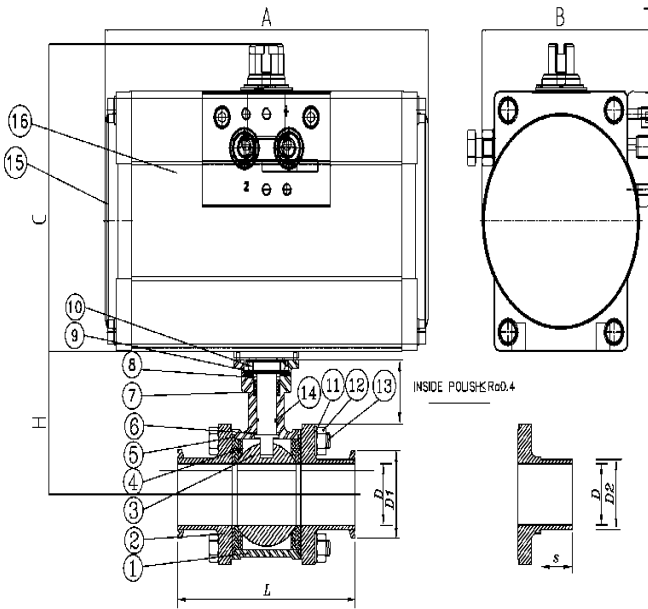
- ▷ Working Pressure : 5kg/cm<sup>2</sup>
- ▷ Max Temperature : 120 °C
- ▷ Ball : Full port
- ▷ Material : ASTM A351 - CF8(1.4308) (1.5" , 2" , 3")  
ASTM A351 - CF8M(1.4408) (0.5" , 1" , 2.5" , 4")
- ▷ End connection : Ferrule(clamp)
- ▷ ISO5211 Direct mounting pad
- ▷ Investment casting body & end cap

■ OPTION

- ▷ DIN standard M3 length
- ▷ Fire safe design

■ ACTUATOR

- ▷ Double Acting
- ▷ Spring Return
- ▷ Accessories :
  - + Solenoid valve with Neon lamp(IP65)
  - + Limit switch box(Weather, Explosion proof)
  - + Air Filter regulator unit
  - + Speed controller
  - + Silencer
  - + One touch fitting



NO	PARTS NAME	METERIAL	Q'TY
1	BODY	A351-CF8/CF8M/CF3M	1
2	CAP	A351-CF8/CF8M/CF3M	2
3	BALL	A351-CF8/CF8M/CF3M	1
4	SEAT	PTFE /TFM1600	2
5	GASKET	PTFE	1
6	THRUST PACKING	PTFE	1
7	TSTEM PACKING	PTFE	1
8	RING	AISI 304	2
9	BELLEVILLE WASHER	AISI 304	2
10	STEM NIT	AISI 304	1
11	SPRING WASHER	AISI 304	4,8,12
12	BOLT NUT	AISI 304	4,8,12
13	BOLT	AISI 304	4,6
14	O-RING	VITON	1
15	COVER	ALUMINUM ALLOY	2
16	ACTUATOR BODY	ALUMINUM ALLOY	1

SIZE	ISO-5211	D	L±1.0	H	A	B	C	D1	D2	A1	TURTEQ INCH	
DN 15	1/2"	F03-F04	9.5	89	37	133.3	68.5	100	25.4	12.7	18	90
25	1"	F04-F05	22.2	114	57.2	151.4	81.5	112	50.4	25.4	25	140
40	1-1/2"	F05-F07	35	125	78.2	189.3	99	130	50.4	38.1	28	240
50	2"	F05-F07	47.6	150	86.2	189.3	99	130	63.8	50.8	25	480
65	2-1/2"	F07-F10	60.3	197	109.2	213.7	111.5	143	77.6	63.5	35	650
80	3"	F07-F10	73	229	116.2	230.9	120	154	91	76.2	43	1150
100	4"	F10-F12	97.4	241	113.5	257	135.5	180	119	102	37	1400

품질향상을 위하여 사전 예고없이 사양이 변경 될 수 있습니다.