



■ FEATURES

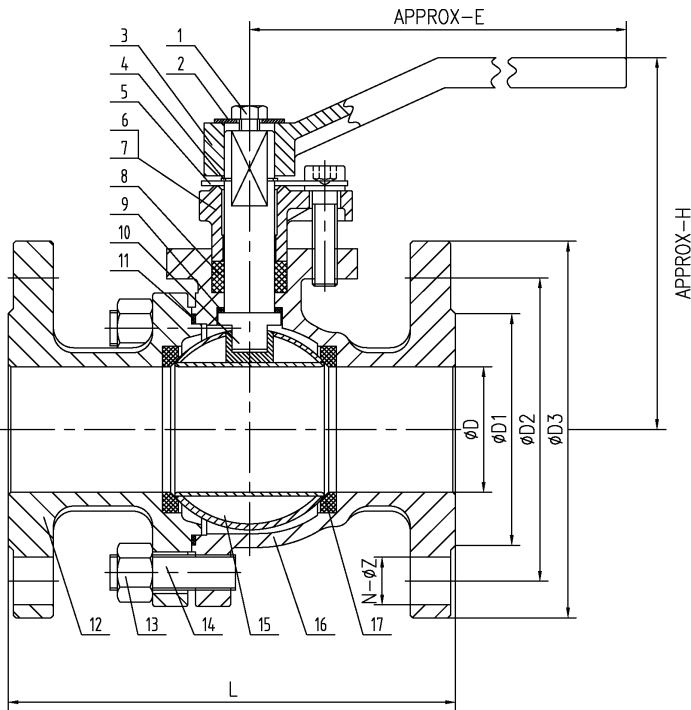
- ▷ Working Pressure : 10kg/cm²
- ▷ Max Temperature : 80 °C
- ▷ Ball : Full port
- ▷ Material : ASTM A351-CF8
ASTM A351-CF8M
- ▷ End connection : RF Flange
- ▷ Investment casting body & end cap

■ APPLICABLE STANDARDS

- ▷ Design Rating : ANSI B16.34
- ▷ Face-to-face Dimensions : API 6D
- ▷ End Flange Dimensions : ANSI B16.5

■ OPTION

- ▷ Fire safe design



NO	PARTS NAME	METERIAL
1	SCREW	SUS304
2	WASHER	SUS304
3	HANDLE	WCB
4	RETAINING RING	SUS304
5	ORIENTATION PATCH	SUS304
6	SCREW	SUS304
7	GLAND	CF8
8	PACKING	PTFE
9	THRUST GASKET	PTFE
10	STEM	SUS304
11	GASKET	PTFE
12	BONNET	CF8
13	NUT	SUS304
14	STUD	SUS304
15	BALL	SUS304
16	BODY	CF8
17	SEAT	PTFE

SIZE	D	L	H	D1	D2	D3	N-Z	E
1/2"	15	108	82	34.9	60.3	90	4-16	120
3/4"	20	117	85	42.9	69.9	100	4-16	120
1"	25	127	95	50.8	79.4	110	4-16	150
1-1/4"	32	140	98	63.5	88.9	115	4-16	15
1-1/2"	38	165	132	73.0	98.4	125	4-16	230
2"	50	178	138	92.1	120.7	150	4-19	230
2-1/2"	65	190	150	104.8	139.7	180	4-19	230

품질향상을 위하여 사전 예고없이 사양이 변경 될 수 있습니다.