



▣ VALVE

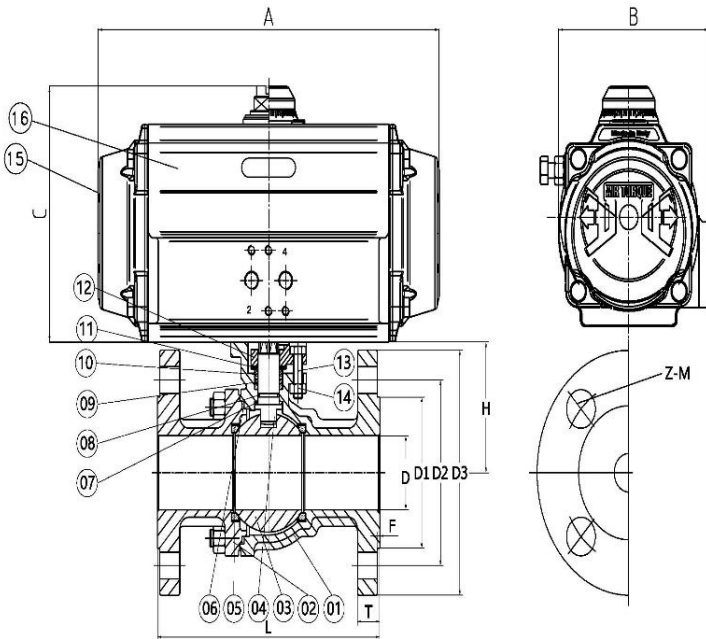
- ▷ Working Pressure : 10kg/cm<sup>2</sup>
- ▷ Max Temperature : 80 °C
- ▷ Ball : Full bore
- ▷ Material : JIS G5121 - SCS13  
JIS G5121 - SCS14
- ▷ ISO5211 Direct mounting pad
- ▷ Investment casting body & end cap

▣ OPTION

- ▷ Fire safe design

▣ ACTUATOR

- ▷ Double Acting
- ▷ Spring Return
- ▷ Accessories :
  - + Solenoid valve with Neon lamp(IP65)
  - + Limit switch box(Weather, Explosion proof)
  - + Air Filter regulator unit
  - + Speed controller
  - + Silencer
  - + One touch fitting



NO	PARTS NAME	MATERIAL
1	BODY	CF8/CF8M/CF3M
2	CAP	CF8/CF8M/CF3M
3	BALL	CF8/CF8M/CF3M
4	STEM	SUS304/SUS316
5	SEAT	RPTFE
6	GASKET	RPTFE
7	THRUST WASHER	RPTFE
8	STEM O-RING	VITON
9	PACKING	RPTFE
10	METAL RING	CF8
11	BELLEVILLE WASHER	CF8
12	GLAND	CF8
13	BOLT	SUS304
14	NUT	SUS304
15	COVER	ALUMINUM ALLOY
16	CAP	ALUMINUM ALLOY

Valve size	D	L	H	D1	D2	D3	T	F	Z-M	A	B	C
15A	15	108	52.5	34.9	60.3	90	9.5	1.6	4-Ø16	135.5	71	69
20A	20	117	54.5	42.9	69.9	100	9.5	1.6	4-Ø16	153.5	84.5	85
25A	25	127	58.5	50.8	79.4	110	10.5	1.6	4-Ø16	153.5	84.5	85
32A	32	140	71	63.5	88.9	115	11.2	1.6	4-Ø16	203.5	93	102
40A	38	165	76	73	98.4	125	12.7	1.6	4-Ø16	203.5	93	102
50A	50	178	90	92.1	120.7	150	14.3	1.6	4-Ø19	203.5	93	102
65A	65	190	107	104.8	139.7	180	15.9	1.6	4-Ø19	241	106	115

품질향상을 위하여 사전 예고없이 사양이 변경 될 수 있습니다.