



■ FEATURES

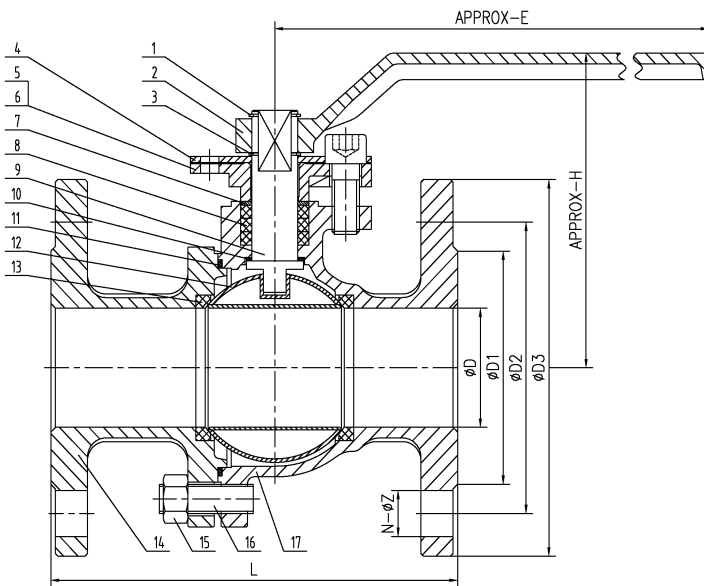
- ▷ Working Pressure : 10kg/cm<sup>2</sup>
- ▷ Max Temperature : 80 °C
- ▷ Ball : Full port
- ▷ Material : JIS G5121 – SCS13  
JIS G5121 – SCS14
- ▷ End connection : RF Flange
- ▷ Investment casting body & end cap

■ APPLICABLE STANDARDS

- ▷ Design Rating : JIS B2071
- ▷ Face-to-face Dimensions : JIS B2002
- ▷ End Flange Dimensions : JIS B2220
- ▷ Inspection & Testing : JIS B2003

■ OPTION

- ▷ Fire safe design



NO	PARTS NAME	METERIAL
1	RETAINING RING	SUS304
2	HANDLE	SUS201
3	CIRCLIP	SUS304
4	ORIENTATION PATCH	SUS304
5	SCREW	SUS304
6	GLAND	SCS13
7	WASHER	SUS304
8	PACKING	PTFE
9	STEM	SUS304/SUS316
10	THRUST GASKET	PTFE
11	GASKET	PTFE
12	BALL	SUS304/SUS316
13	SEAT	PTFE
14	BONNET	SCS13/SCS14
15	NUT	SUS304
16	STUD BOLT	SUS304
17	BODY	SCS13/SCS14

SIZE	D	AL	H	D1	D2	D3	Z – M	E
1/2"	15	108	87	51	70	95	4 – 15	128
3/4"	20	117	90	56	75	100	4 – 15	128
1"	25	127	102	67	90	125	4 – 19	157
1-1/4"	32	140	106	76	100	135	4 – 19	157
1-1/2"	38	165	123	81	105	140	4 – 19	243
2"	50	178	130	96	120	155	4 – 19	243
2-1/2"	65	190	143	116	140	175	4 – 19	243

품질향상을 위하여 사전 예고없이 사양이 변경 될 수 있습니다.