

■ FEATURES

- ▷ Working Pressure : 10kg/cm<sup>2</sup>
- ▷ Max Temperature : 80 °C
- ▷ Ball : Full port
- ▷ Material : ASTM A351 – CF8(1.4308)  
ASTM A351 – CF8M(1.4408)



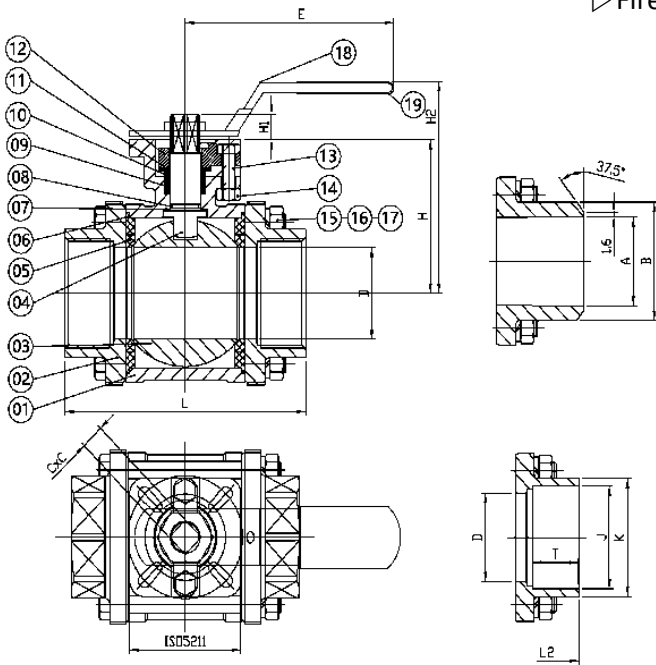
▷ End connection

- \* Screwed : BS21 1973(BSPT)  
ANSI B2.1(NPT)  
DIN 259/2999  
ISO 228
- \* Socket Weld : JIS B2316, ANSI B16.11
- \* Butt Weld (37.5°)

▷ Investment casting body & end cap

■ OPTION

- ▷ Locking device
- ▷ DIN standard M3 length
- ▷ Fire safe design



| NO | PARTS NAME        | METERIAL      | Q'TY |
|----|-------------------|---------------|------|
| 1  | BODY              | CF8/CF8M      | 1    |
| 2  | END CAP           | CF8/CF8M      | 2    |
| 3  | BALL              | SUS304/SUS316 | 1    |
| 4  | STEM              | SUS304/SUS316 | 1    |
| 5  | SEAT              | PTFE          | 2    |
| 6  | GASKET            | PTFE          | 2    |
| 7  | THRUST WASHER     | PTFE          | 1    |
| 8  | STEM O-RING       | VITON         | 1    |
| 9  | PACKING           | PTFE          | 3    |
| 10 | METAL RING        | CF8           | 1    |
| 11 | BELLEVILLE WASHER | CF8           | 2    |
| 12 | GLAND             | CF8           | 1    |
| 13 | BOLT              | SUS304        | 2    |
| 14 | NUT               | SUS304        | 2    |
| 15 | NUT               | SUS304        | 4    |
| 16 | ELASTIC GASKET    | CF8           | 4    |
| 17 | BOLT              | SUS304        | 4    |
| 18 | HANDEL            | CF8           | 1    |
| 19 | HANDEL SLEEVE     | PLASTIC       | 1    |

| SIZE   | D  | H    | L   | A  | B  | J    | K  | T  | H1 | H2  | C  | ISO5211 | E   |
|--------|----|------|-----|----|----|------|----|----|----|-----|----|---------|-----|
| 1/2"   | 15 | 48.5 | 75  | 15 | 23 | 16   | 22 | 10 | 9  | 55  | 9  | F04/F05 | 110 |
| 3/4"   | 20 | 53.5 | 83  | 20 | 27 | 21   | 28 | 13 | 9  | 65  | 9  | F04/F05 | 110 |
| 1"     | 25 | 58.5 | 89  | 25 | 35 | 26.5 | 35 | 13 | 11 | 74  | 11 | F04/F05 | 145 |
| 1-1/4" | 32 | 71   | 109 | 32 | 43 | 35   | 43 | 13 | 11 | 93  | 11 | F04/F05 | 145 |
| 1-1/2" | 38 | 76   | 118 | 38 | 49 | 41   | 49 | 13 | 14 | 97  | 14 | F05/F07 | 190 |
| 2"     | 50 | 83.5 | 139 | 50 | 62 | 52   | 61 | 16 | 14 | 107 | 14 | F05/F07 | 190 |

품질향상을 위하여 사전 예고없이 사양이 변경 될 수 있습니다.