

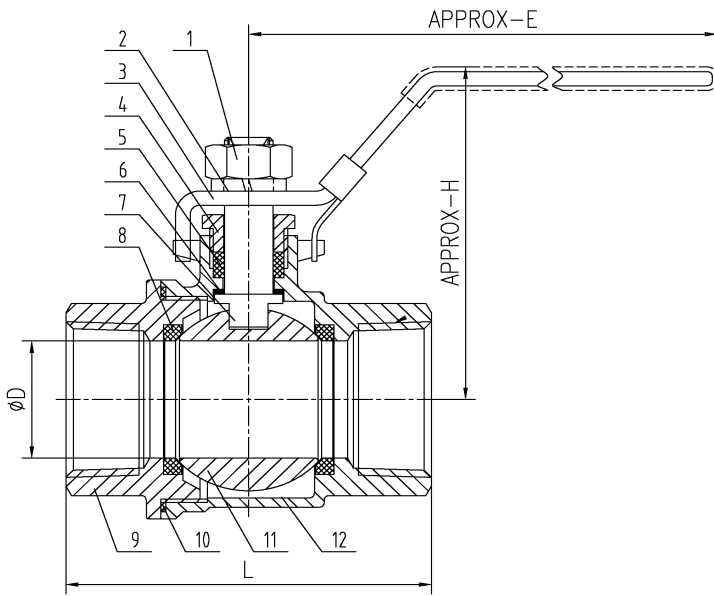


■ FEATURES

- ▷ Working Pressure : 10kg/cm²
- ▷ Max Temperature : 80 °C
- ▷ Ball : Full bore
- ▷ Material : KS D 4103 – SSC13 | ASTM A351 - CF8
KS D 4103 – SSC14 | ASTM A351 - CF8M
- ▷ End connection :
* Screwed : BS21 1973(BSPT)
ANSI B2.1(NPT)
- ▷ Investment casting body & end cap

■ OPTION

- ▷ Fire safe design
- ▷ Locking device



SIZE	D	L	E±5	H±5
10A	10	49.5	60	44
15A	15	57	98	52
20A	20	65	115	60
25A	25	75	128	65
32A	32	90	150	80
40A	38	97	160	90
50A	49	115	160	95

NO	PARTS NAME	METERIAL
1	NUT	SUS304
2	SHELLS PAD	SUS304
3	HANDLE	SUS201
4	GLAND	SUS304
5	PACKING	PTFE
6	THRUST GASKET	PTFE
7	STEM	SUS304/SUS316
8	SEAT	PTFE
9	BONNET	SSC13/SSC14
10	GASKET	PTFE
11	BALL	SUS304/SUS316
12	BODY	SSC13/SSC14

품질향상을 위하여 사전 예고없이 사양이 변경 될 수 있습니다.