



■ VALVE

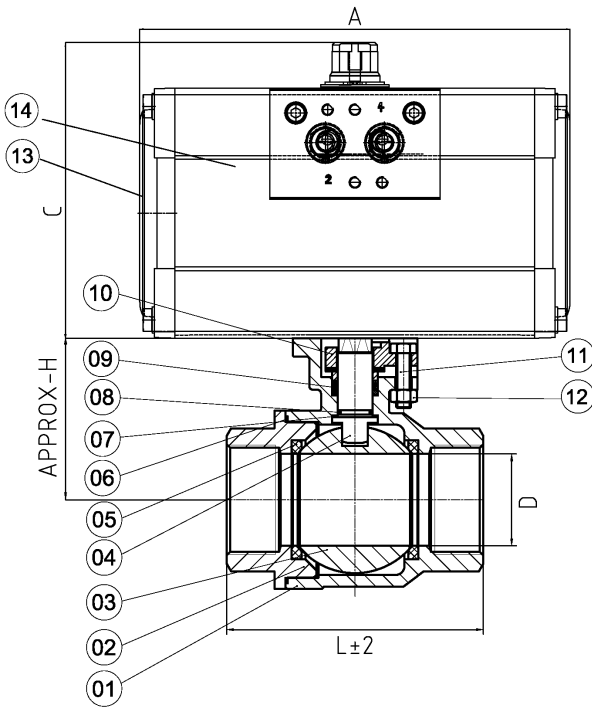
- ▷ Working Pressure : 10kg/cm²
- ▷ Max Temperature : 80 °C
- ▷ Ball : Full bore
- ▷ Material : JIS G5121 - SSC13 | ASTM A351 - CF8
JIS G5121 - SSC14 | ASTM A351 - CF8M
- ▷ End connection
* Screwed : BS21 1973(BSPT)
ANSI B2.1(NPT)
- ▷ ISO5211 Direct mounting pad
- ▷ Investment casting body & end cap

■ ACTUATOR

- ▷ Double Acting
- ▷ Spring Return

■ Accessories :

- ▷ Solenoid valve with Neon lamp(IP65)
- ▷ Limit switch box(Weather, Explosion proof)
- ▷ Air Filter regulator unit
- ▷ Speed controller
- ▷ Silencer
- ▷ One touch fitting



Valve size	D	L	H	C	A
15A	15	62	48.5	90	124.7
20A	20	74	53.5	100	133.3
25A	25	86	58.5	100	133.3
32A	32	99	71	112	151.4
40A	38	109	76	112	151.4
50A	49	122	83.5	112	151.4

NO	PARTS NAME	METERIAL
1	BODY	SSC13/SSC14
2	END CAP	SSC13/SSC14
3	BALL	SUS304/SUS316
4	STEM	SUS304/SUS316
5	SEAT	PTFE
6	GASKET	PTFE
7	THRUST WASHER	PTFE
8	STEM O-RING	VITON
9	PACKING	PTFE
10	GLAND	SSC13
11	BOLT	SUS304
12	NUT	SUS304
13	CAP	COATED DIE-CAST ALUMINIUM
14	ACTUATOR BODY	ALUMINUM ALLOY

품질향상을 위하여 사전 예고없이 사양이 변경 될 수 있습니다.