

■ FEATURES

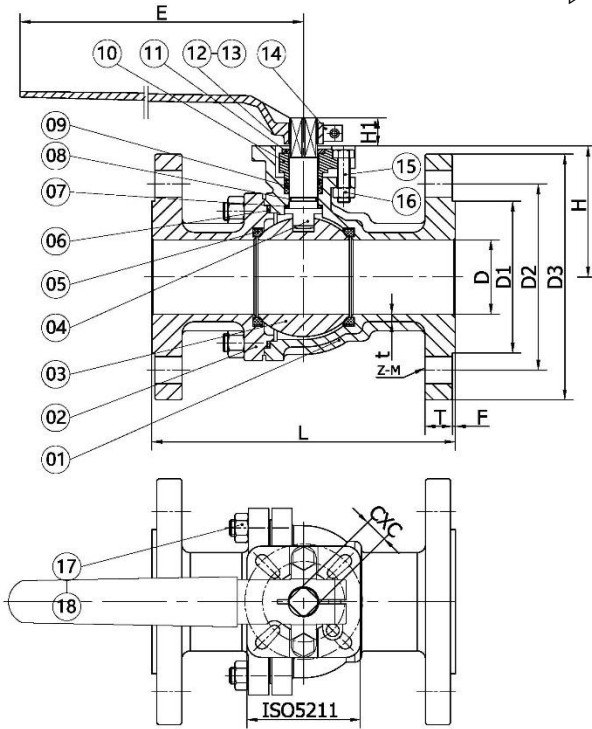
- ▷ Working Pressure : 10kg/cm²
- ▷ Max Temperature : 80 °C
- ▷ Ball : Full port
- ▷ Material : JIS G5121 – SCS13
JIS G5121 – SCS14
- ▷ ISO5211 Direct mounting pad
- ▷ Investment casting body & end cap

■ APPLICABLE STANDARDS

- ▷ SHELL WALL THICKNESS : KS B2308
- ▷ Face-to-face Dimensions : KS B2306
- ▷ End Flange Dimensions : KS B1511

■ OPTION

- ▷ Locking device
- ▷ DIN standard M3 length
- ▷ Fire safe design



NO	PARTS NAME	METERIAL
1	BODY	SCS13/SCS14
2	CAP	SCS13/SCS14
3	BALL	SUS304/SUS316
4	STEM	SUS304/SUS316
5	SEAT	PTFE
6	GASKET	PTFE
7	THRUST WASHER	PTFE
8	STEM O-RING	VITON
9	PACKING	PTFE
10	GLAND	SCS13
11	STOP PLATE	SUS 304
12	BOLT	SUS 304
13	NUT	SUS 304
14	HANDLE	SCS13
15	BOLT	SUS 304
16	NUT	SUS 304
17	BOLT	SUS 304
18	NUT	SUS 304

SIZE	D	L	E	H	H1	D1	D2	D3	T	F	Z-M	ISO5211
1/2"	15	108	143	48	9	51	70	95	12	1	4-15	F03/F05
3/4"	20	117	143	62	9	56	75	100	14	1	4-15	F03/F05
1"	25	127	180	64	11	67	90	125	14	1	4-19	F04/F05
1-1/4"	32	140	180	71	11	76	100	135	16	2	4-19	F04/F05
1-1/2"	38	165	224	76	14	81	105	140	16	2	4-19	F05/F07
2"	50	178	224	84.5	14	92	120	154	16	2	4-19	F05/F07
2-1/2"	64	190	290	106.8	18	105	140	175	18	2	4-19	F07/F10

품질향상을 위하여 사전 예고없이 사양이 변경 될 수 있습니다.