

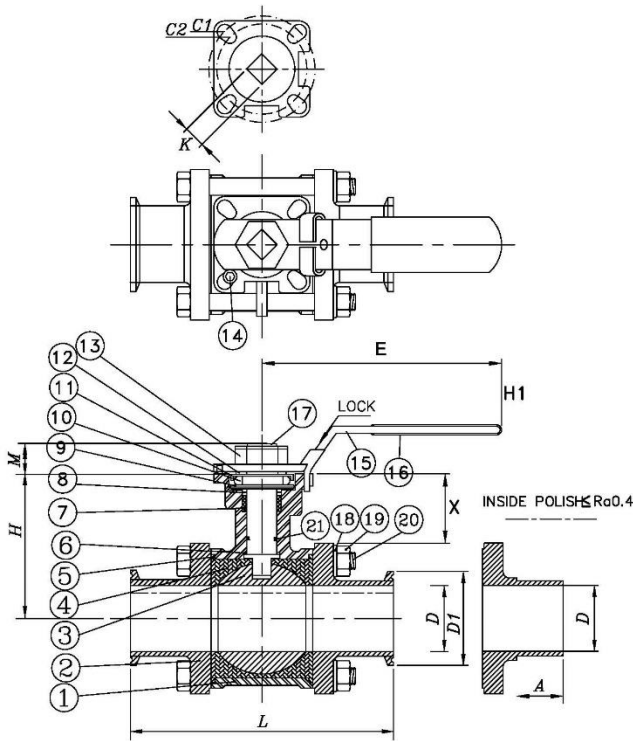


■ FEATURES

- ▷ Working Pressure : 5kg/cm²
- ▷ Max Temperature : 120 °C
- ▷ Ball : Full port
- ▷ Material : ASTM A351 - CF8(1.4308) (1.5" , 2" , 3")
ASTM A351 - CF8M(1.4408)
(0.5" , 1" , 2.5" , 4")
- ▷ End connection : Ferrule(clamp)
- ▷ ISO5211 Direct mounting pad
- ▷ Investment casting body & end cap

■ OPTION

- ▷ Locking device
- ▷ DIN standard M3 length
- ▷ Fire safe design



NO	PARTS NAME	METERIAL	Q'TY
1	BODY	A351-CF8/CF8M/CF3M	1
2	CAP	A351-CF8/CF8M/CF3M	2
3	BALL	A351-CF8/CF8M/CF3M	1
4	SEAT	PTFE /TFM1600	2
5	GASKET	PTFE	1
6	THRUST PACKING	PTFE	1
7	TSTEM PACKING	PTFE	1
8	RING	AISI 304	2
9	BELLEVILLE WASHER	AISI 304	2
10	STEM NIT	AISI 304	1
11	LOCK WASHER	AISI 304	1
12	RING	AISI 304	1
13	HANDEL NUT	AISI 304	1
14	STOP PIN	AISI 304	1
15	HANDEL NUT	AISI 304	1
16	HANDEL SLEEVE	PLASTIC	1
17	STEM NIT	AISI 316	1
18	SPRING WASHER	AISI 304	4,8,12
19	BOLT NUT	AISI 304	4,8,12
20	BOLT	AISI 304	4,6
21	O-RING	VITON	1

SIZE		ISO-5211	D ±0.5	L±1.0	H	M±1.5	K	D1	E	H1	A	C1	C2	X
DN	INCH													
15	1/2"	F03-F04	9.5	89	37	9	9	25	143	26	18	6	6	15.5
25	1"	F04-F05	22.2	114	57.2	11	11	50	160	34	25	6	8	29
40	1-1/2"	F05-F07	35	125	78.2	14	14	50	187	43	28	8	10	39
50	2"	F05-F07	47.6	150	86.2	14	14	64	187	43	25	8	10	42
65	2-1/2"	F07-F10	60.3	197	109.2	17	17	78	265	53	35	10	12	48
80	3"	F07-F10	73	229	116.2	17	17	91	265	53	43	10	12	48
100	4"	F10-F12	97.4	241	133.5	22	22	119	393	56	37	12	14	34

품질향상을 위하여 사전 예고없이 사양이 변경 될 수 있습니다.